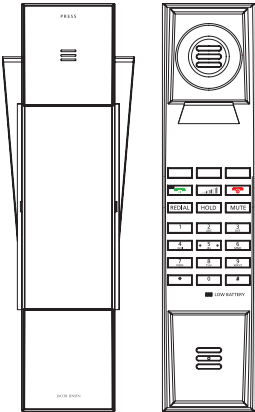


**PRODUCT SPECIFICATION – Cordless Handset HS20D**

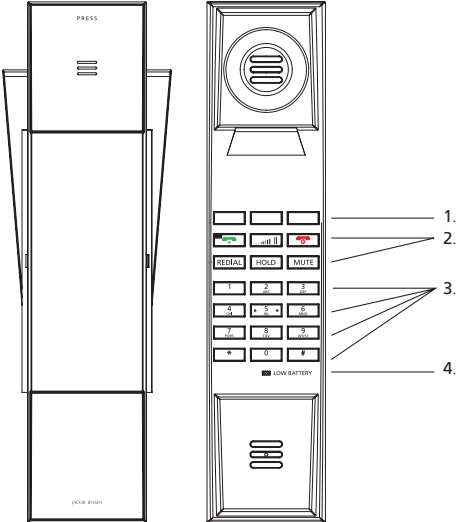
**Shandong Bittel Intelligent Technology Co., Ltd.**  
 No. 1 Rizhao North Road, Rizhao,  
 Shandong, 276800, China  
 www.bittelgroup.com, www.hotelphone.com  
 info@bittelgroup.com



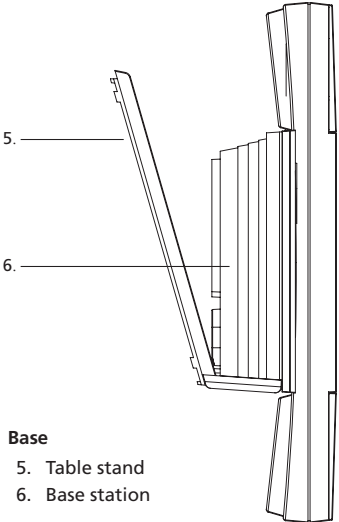
- Features:**
- Ultra Slim Handset
  - Hands free on handset
  - Voice message Waiting Indicator
  - 3 service keys
  - Speakerphone
- Low battery indicator
  - Indoor range 50 m
  - Outdoor range 300 m
  - Up to 4 handsets per base
  - Desk or wall mountable

**CONTROLS AND FUNCTIONAL KEYS**

Features	Description of the functional keys
	ON button
	To lower or increase the handset volume
	OFF button
	Redial button
	HOLD button
	Mute button
	Key for special services
	Key for special services

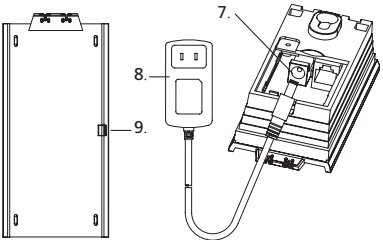


- Handset**
1. Service buttons
  2. 6 functional keys
  3. 12 numerical keys
  4. Indicator for low voltage



- Base**
5. Table stand
  6. Base station

- Base unit - rear**
7. Power jack
  8. Adapter
  9. Charge indicator



<b>Material:</b>	ABS
<b>Colours:</b>	Anthracite with silver coloured plates.
<b>Approved standards:</b>	EN 55022 and EN 55024